

EAF

Battery driven torque multiplier



Applications

- **alkitronic® EAF:** Battery driven 2-speed torque multiplier from 160 Nm to 6,000 Nm / 120 lbf.ft to 4,430 lbf.ft.
- **Short fastening cycles:** Fast gear for run down and power gear for highest torques and precision.
- **Mobile and always ready for use:** Compact design for convenient working in limited spaces or without power supply.
- **Efficient operation:** Fast and easy gear-changing, great torque range - you can choose from 22 torque values.

Advantages

- **Integrated fully-automatic release function:** Caused by high torsional force, it is often impossible repositioning the multiplier on the next bolt joint. The automatic release function enables a fast, secure "run free" of the reaction absorber **DMA** and also relieves stresses within the multiplier.
- **Low running costs:** The low-wear, synchronous motor is maintenance free.
- **Health-preserving:** Lowweight, ergonomically designed, low noise emissions. No noise protection necessary.
- **High performance:** Two lithium-ion battery packs ensure up to 360 screw joints in a row. Each battery features an LED charge level indicator.
- **Exact shut-off torque** even at low battery levels.

alkitronic® Specials

- **Very low susceptibility to damage and failure:** Motor housing made of special polymer: Break-proof, impact-proof and resistant to corrosion.
- **Intelligent energy management and faster workflow:** Electronics protects battery cells from overcharging and depth discharge. Cooled battery packs during recharging. This reduces charging times and enhances maximum performance and durability.
- **High-performance gears,** produced in a chip-free high-precision process.

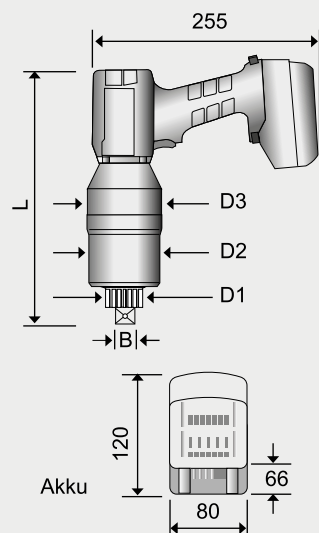


Technical Data

Type		EAF2 / 80	EAF2 / 150	EAF2 / 200	EAF2 / 280	EAF2 / 300	EAF2 / 400	EAF2 / 600
Torque range (approx.)*	Nm	160-850	260-1400	300-2200	350-2800	370-3200	450-4100	600-6000
	lbf.ft	120-625	190-1035	220-1625	260-2065	275-2360	330-3025	445-4430
Square drive	B	3/4"	3/4"	1"	1"	1"	1 1/2"	1 1/2"
Diameter (approx.)	D ₁	41	41	54	54	72	72	72
Diameter (approx.)	D ₂	85	85	85	85	93	93	109
Diameter (approx.)	D ₃	88	88	88	88	97	97	109
Length (approx.)	L	295	295	320	350	370	370	380
Weight without DMA (approx.)**	kg	5,6	5,6	6,4	7,5	7,5	9,2	9,0
Idle speed 1 st gear	rpm	8,0	4,0	3,0	1,8	1,5	1,5	0,8
Idle speed 2 nd gear	rpm	26,0	14,0	10,0	6,5	6,0	5,4	3,0

*) When loosening bolts, a higher torque (up to 20 %) may be necessary (release torque). We will be pleased to help you with your choice. **) Torque reaction arm

Measurements



Scope of Delivery



Repeat shut-off accuracy $\pm 3\%$ (same bolting connection).
All **alkitronic®** torque multipliers are CE-certified.

alkitronic®
HOME OF TORQUE POWER

alkitronic® products
Made in Germany by

alki TECHNIK GmbH
Development, Production and
Distribution of Bolting Systems

Unterlettenweg 4
85051 Ingolstadt
Germany

fon +49 841 97499-0
fax +49 841 97499-90

info@alkitronic.com
www.alkitronic.com